

01 - 09.6

04.04.GB

**Laminated thermoinsulated wrapping
IKA 150 and IKA 220**



IKA 150 IKA 220



Laminated thermoinsulated wrapping

Description

Laminated thermoinsulated wrapping IKA serves for insulation of valves and other elements with purpose of reducing heat loss, protection against injuries such as burning and protection of actuators against unallowable temperature of the environment. Wrapping IKA is made in two variants. IKA 150 is made of polyester non-absorbing fibre with low inflammability suitable for insulated surfaces up to 150°C. IKA 220 is made of glass fibre processed with silicon coating suitable for insulated surfaces up to 220°C. Middle, thermoinsulated layer consist of mineral felt laminated with a reflective aluminium foil. Wrapping is equipped with flaps with velcro fastener. Laces at both ends enable proper tightening.

Application

Thermoinsulated wrapping IKA serves especially for insulation of valves in steam-condensate and hot-water applications. IKA is used in power generation, heating, boiler rooms, heat exchanging stations and where there it is necessary or desirable to prevent considerable loss of heat. IKA provides personal protection against burning according to ČSN 07 0620, article 413 (temperature on the surface of the wrapping is max. 25°C higher than ambient temperature). IKA is designed for normal environment (not for explosives zones). IKA excels with a quick and easy handling and it is possible to instal IKA in any position.

Technical data

Series	IKA 150	IKA 220
Material of inner fibres	Polyester fibres	Glass fibres
Barva vnitřní textilie	Black	Silver grey
Max. temperature of insulated surface	150°C	220°C
Ambient temperature range	-30 to 70°C	
Insulating material	Mineral felt laminated with a reflective aluminium foil - thickness 60 mm	
Heat conductivity coefficient	0,0363 W.m ⁻¹ .K ⁻¹ (at temp. of 30°C)	

Specification code for ordering thermoinsulated wrapping IKA

		XXX	XXX	XX	-	XXX
1. Thermoinsulated wrapping	Wrapping IKA	IKA				
2. Max. temperature of insulated surface	150°C		150			
	220°C		220			
3. Geometric execution	For two-way valve, flanged			V2		
	For three-way valve, flanged			V3		
	Flange connection			PR		
	Strainer, flanged			FP		
4. Nominal diameter	DN 15 to 200					XXX

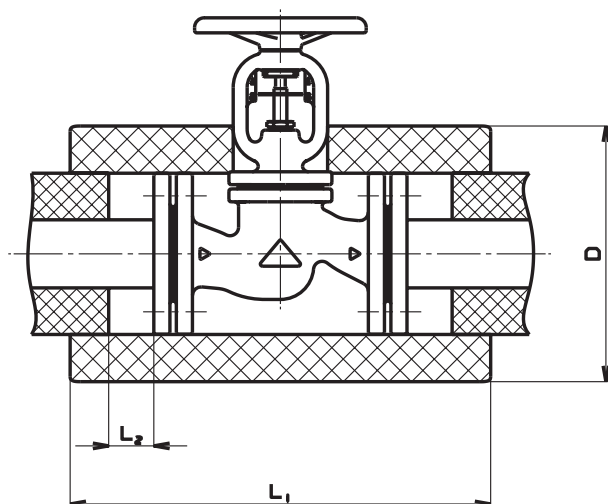
Order example : **IKA 220 V2-65**

Dimensions and weights for thermoinsulated wrapping IKA

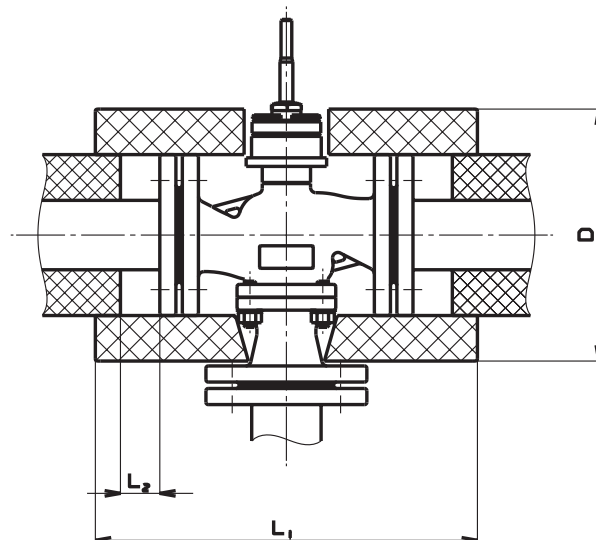
DN	L ₁	L _{2max}	L ₅	D	V	m _(V2, V3)	m _(PR)	m _(FP)
	mm	mm	mm	mm	mm	kg	kg	kg
15	375	65	242	215	245	0,43	0,28	0,47
20	409	70	256	225	260	0,49	0,31	0,54
25	419	70	256	235	295	0,54	0,33	0,59
32	459	80	276	255	310	0,65	0,39	0,72
40	479	80	276	265	330	0,72	0,41	0,82
50	513	80	280	280	340	0,82	0,45	0,94
65	587	85	294	300	380	1,02	0,51	1,18
80	621	90	308	315	405	1,15	0,57	1,32
100	661	90	308	350	480	1,39	0,65	1,60
125	735	100	332	390	540	1,75	0,79	2,02
150	855	110	372	420	645	2,22	0,97	2,56
200	1013	125	410	495	745	3,17	1,28	3,65

All dimensions are designed for flanged execution PN 16 to PN 40.
Dimensions L₂ is a maximum distance between pipe insulation and flange.

IKA xxx V2

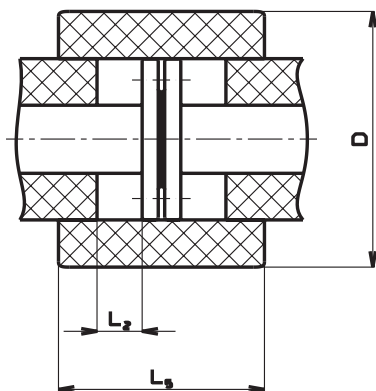


IKA xxx V3

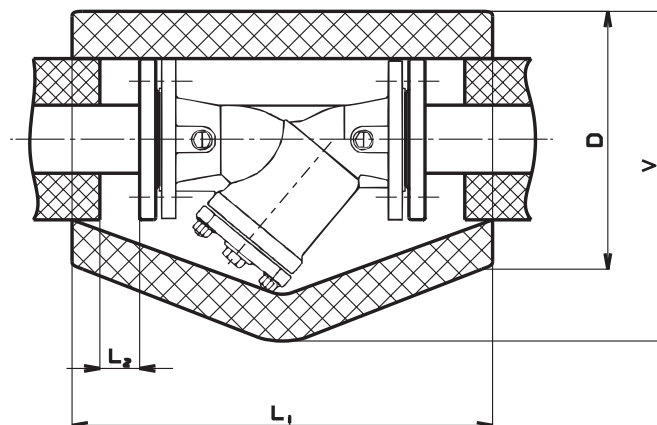


Execution V2 is suitable for the valves series RV/UV/HU 2x0, 2x1, 2x2, 2x3; UV 116, 216, 226, 236
Execution V3 is suitable for the valves series RV 2x4, 2x5

IKA xxx PR



IKA xxx FP



Execution PR is suitable for flange connections and angle port flange of three-way valves series RV 2x4, 2x5
Execution FP is suitable for flanged strainers series FP 110, 210, 220



LDM, spol. s r.o.
Litomyšlská 1378
560 02 Česká Třebová
Czech Republic

tel.: +420 465 502 511
fax: +420 465 533 101
E-mail: sale@ldm.cz
<http://www.ldm.cz>

LDM, spol. s r.o.
Büro Prague
Tiskařská 10
108 28 Praha 10 - Malešice
Czech Republic

tel.: +420 234 054 190
fax: +420 234 054 189

LDM, spol. s r.o.
Büro Ústí nad Labem
Mezní 4
400 11 Ústí nad Labem
Czech Republic

tel.: +420 475 650 260
fax: +420 475 650 263

LDM servis, spol. s r.o.
Litomyšlská 1378
560 02 Česká Třebová
Czech Republic

tel.: +420 465 502 411-3
fax: +420 465 531 010
E-mail: servis@ldm.cz

LDM, Polska Sp. z o.o.
Modelarska 12
40 142 Katowice
Poland

tel.: +48 32 730 56 33
fax: +48 32 730 52 33
mobile: +48 601 354999
E-mail:
ldmpolska@ldm.cz

LDM Bratislava s.r.o.
Mierová 151
821 05 Bratislava
Slovakia

tel.: +421 2 43415027-8
fax: +421 2 43415029
E-mail: ldm@ldm.sk
<http://www.ldm.sk>

LDM - Bulgaria - OOD
z. k. Mladost 1
bl. 42, floor 12, app. 57
1784 Sofia
Bulgaria

tel.: +359 2 9746311
fax: +359 2 9746311
GSM: +359 88 925766
E-mail: ldm.bg@mbox.cit.bg

OAO "LDM"
Chernyakhovskogo str., build. 4
125319 Moskau
Russian Federation

tel.: +7 095 7973037
fax: +7 095 7973037
E-mail: inforus@ldmvalves.com

LDM Armaturen GmbH
Wupperweg 21
D-51789 Lindlar
Germany

tel.: +49 2266 440333
fax: +49 2266 440372
mobile: +49 177 2960469
E-mail: ldmarmaturen@ldmvalves.com
<http://www.ldmvalves.com>

Your partner