	INSTRUCTION FOR INSTALLATION AND MAINTENANCE	RV 701 RV 702
	CONTROL VALVES	PM - 077/19/08/GB

The instructions for installation and maintenance of valves RV 701, RV 702 (further in text only RV 70x) are binding for users to ensure proper function of valves. The user must keep the rules said here while installation, operation and maintenance. Technical details of individual type are specified in catalogue data sheets. If the usage of the valves is different from mentioned herein, the guarantee terms are not valid any more.

1. TECHNICAL DESCRIPTION AND VALVE FUNCTION

1.1 Description

Control valves RV 701 are one-seated valves designed to create a lot of combinations of controlling appliances. Valve is pressure balanced, with multi-step throttling system, designed to be cavitation and noise free.

Control valves RV 702 with extended outlet have multi-step throttling system (with orifice plate) designed to eliminate high differential pressures. Valve has pressure balanced throttling system, which assures low noise, low wearing during big pressure drop operation.

Control valves RV 70x have the packing set of "LIVE LOADING" type.

Valves are delivered with weld ends or flanges.

The valves can be actuated with electric actuators. Producers of actuators are for example ZPA Pečky, Regada Prešov, Auma, Schiebel, Flowserve.

Used actuators allow 3-point controlling or controlling by signal 0(4)-20mA or 0-10V. They can be equipped with the signalization of end positions and transmitter of position.

1.2 Application

Control valves RV 70x can have linear plug or equal percentage plug. It is especially designed for industrial applications, such as heating plants, power plants or control of technologic processes.

Recommended strainer dimensions:

For reliable function of the valves, the producer recommends to install the filter of mechanical impurities.

Installation of the filter is necessary for valve with micro-throttling system ($Kvs \leq 0.16$).

DN, Type	Recommended maximum mesh size
DN 25, $Kvs \leq 0.16$	0,25 mm
DN 25-65	0,6 mm
DN 80-200	1,0 mm
DN 250	1,6 mm

Possible impurities affect the quality and reliability of the control and can reduce the service life of the valve.

1.3 Technical data

Series	RV 701				
Type of valve	Control valve, one seat, straight-way, pressure balance plug				
Nominal diameter DN	DN 25 - 250				
Nominal pressure PN	PN 16, 25, 40, 63, 100, 160, 250, 320, 400 ¹⁾				
Operating temperature (from -10°C to...) ²⁾	400°C	500°C	550°C	575°C	600°C
Body material (including weld ends)	Cast steel 1.0619 ¹⁾			
	Alloy steel 1.7357			
	Alloy steel 1.7379			
	Stainless steel 1.4931			
	NStainless steel 1.4581			
Seat material ³⁾	1.4006+Stellit6	1.4006+Stellit6	1.4903+Stellit6		
Plug material ³⁾	1.4028+hardened	1.4006+Stellit6	1.4903+Stellit6		
Weld ends PN 16-400	Acc. to ČSN 13 1075 (1991), ČSN EN 12 627 (2018)				
Flanges PN16-400	Acc. to ČSN 1092-1(2018)				
Control system	One - four-step pressure reduction Plug: perforated, contoured, labyrinth ⁴⁾ , seat (cage)				
Flow characteristic	Linear, equal-percentage				
Leakage	Acc. to EN 1349 (2010) Class III, execution with higher tightness-Class IV, V				
Packing set	Graphite - Live Loading				

Series	RV 702				
Type of valve	Control valve, single-seated, straight-through, with pressure-balanced plug, with extended outlet and orifice plate in extended outlet				
Nominal diameter DN	Inlet DN 25 - 250, outlet DN25 - 700				
Nominal pressure PN	Inlet PN 16 - 400, outlet PN 16-400 ¹⁾				
Operating temperature (from -10°C to...) ²⁾	400°C	500°C	550°C	575°C	600°C
Body material (including weld ends)/extensions	1.0619 ¹⁾ /1.0425			
	1.7357/1.7335			
	1.7379/1.7380, 1.7383			
	1.4931/1.4922, 1.4903			
	1.4581/1.4571			
Seat material ³⁾	1.4006+Stellit6	1.4006+Stellit6	17023.6+hardened		
Body material ³⁾	1.4028+hardened	1.4006+Stellit6	17023.6+hardened		
Weld ends PN 16-400	Acc. to ČSN 13 1075 (1991), EN 12 627 (2018)				
Flanges PN16-400	Acc. to ČSN 1092-1(2018)				
Control system	One - four-step pressure reduction Plug: perforated, contoured, labyrinth ⁴⁾ , seat (cage)				
Flow characteristic	Linear, equal-percentage				
Leakage	Acc. to EN 1349 (2010) Class III, execution with higher tightness-Class IV, V				
Packing set	Graphite - Live Loading				

¹⁾ For material 1.0619 DN 80 - 250 max. PN 320

²⁾ If a lower temperature is required, consult the manufacturer

³⁾ Weld material STELIT 6

⁴⁾ Order Valve with labyrinth must be consulted with the manufacturer

- The max. permissible operating pressure values correspond to EN 12516-1+A1 (2019)

1.4 Differential pressures

Recommended max. differential pressures			
RV 70x		medium	Δp (working)
Perforated plug	max. 3-step reduction	water steam	max. 4MPa* max. 5MPa*
Contoured plug	max. 2-step reduction	water	max. 2MPa*
Labyrinth	max. 4-step reduction	water, steam	max. 20MPa

* note: for one-step pressure reduction

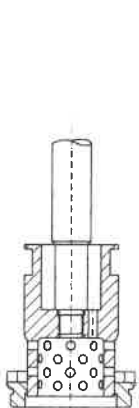
1.5 Operating medium

Valves are designed to regulate pressure and flow of liquids (RV 701), steams and gases (RV 702) without mechanical impurities. Sort of common operating medium can be water (RV 701), steam (RV 702) and other medium with no special demand on valve body material. Using for some other medium should by consulted with producer.

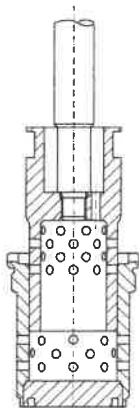
1.6 Multi-step pressure reduction

For valves working with above-critical differential pressure or with pressure drop higher then recommended is useful to use two-step or more-step reduction to lower noise, ensure long service life of valve inner parts and prohibit them from cavitation.

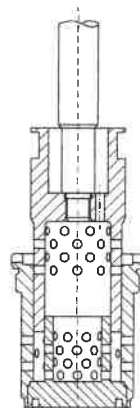
Use pressure balanced			
RV 70x	class leakage	medium	Δp (on-off function)
Pressure balancing with graphite sealing	III, IV (Δp_{max} 4MPa)	water steam	max. 8MPa max. 5MPa
Pressure balancing with metal sealing	III, IV, V	water, steam	max. 25MPa
Without pressure balancing	III, IV, V	water, steam	acc. to the number of step reduction and type of plug



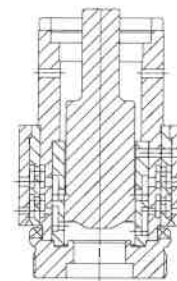
One - step reduction



Two - step reduction



Three - step reduction



Labyrinth -
Four - step reduction

1.7 Application of orifice plates (RV 702)

In case of above-critical flow, the producer recommends to install one or more orifice plates at the valve outlet to stream-line the process medium flow and to lower the noisiness. The concrete valve execution (No. of orifice plates) is designed according to pressure ratio and it is recommend to consult it with the producer.

2. DIRECTIONS FOR INSTALLATION AND OPERATING OF VALVE

2.1 Preparation before installation

The valves are delivered from the company assembled, adjusted and tested. Before valve's installation into pipeline you must check the data on the name-plate with data mentioned in accompanying documentation. Then check if the valve or the actuator are not damaged and dirty. Pay attention especially to inner spaces and packing surfaces of valve.

The chemicals are applied during the manufacturing, to preserve the valves prior the corrosion. The protecting solution "Konkor" (oil base) is used at inner surface. The grease is applied at flange's faces or welding ends.

In case, the preserving agent should contaminate the medium, it is necessary to rinse/clean the valve with suitable cleaning agent/solution.

The flange's faces and welding ends must be prior the installation always degreased.

2.2 Installation of valve into pipeline

The valve must be installed in such direction, that the arrows on the valve body correspond to the process medium flow.

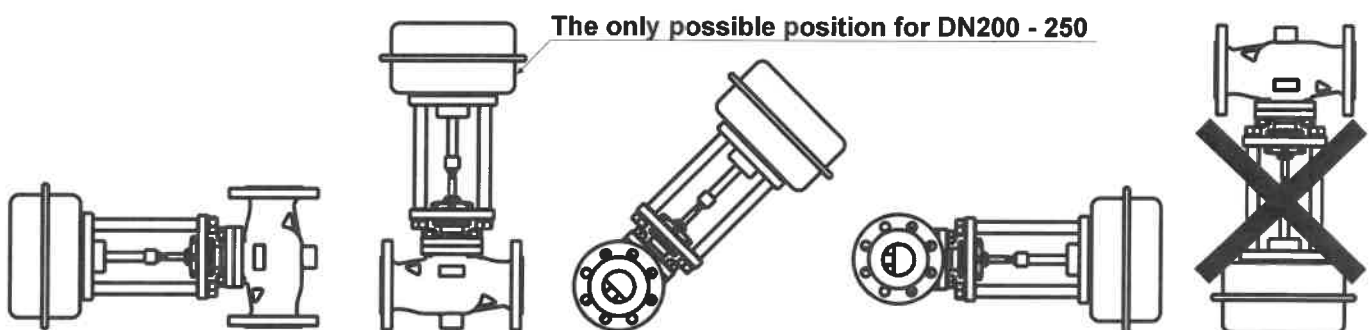
The valves with inlet DN 15 – 150 can be installed in any position, except the position with actuator under the valve.

For valves with inlet DN 200 - 250, the only possible position is with stem in vertical position and actuator on the top.

Protection of actuator against the radiant heat can be necessary in case of high temperature application. As a basic provision can be made pipeline insulation, actuator turning aside from vertical position, etc.. When the valve is installed into pipeline and actuator is turned aside from vertical position then it is necessary to ensure suitable supporting of actuator.

For proper function of control valve, below-mentioned instructions must be obeyed:

- no excessive forces can be transfered from pipeline to valve.
 - the pipeline must be cleaned from dirt before valve installation.
 - the valve can not be installed just behind the bend. Pipeline should be straight min. 6x DN in front of the valve.
- For 702 RV, the length of straight outlet section shall be 20 times the outlet DN, but in all cases a minimum of 4m.
- the inlet valve DN 150 until 250 must be adapted to the space above the valve, so that it was possible to use the lifting device.
 - it is recommended to keep clean space around the valve for easy manipulation and service.
 - installation itself must be done precisely.



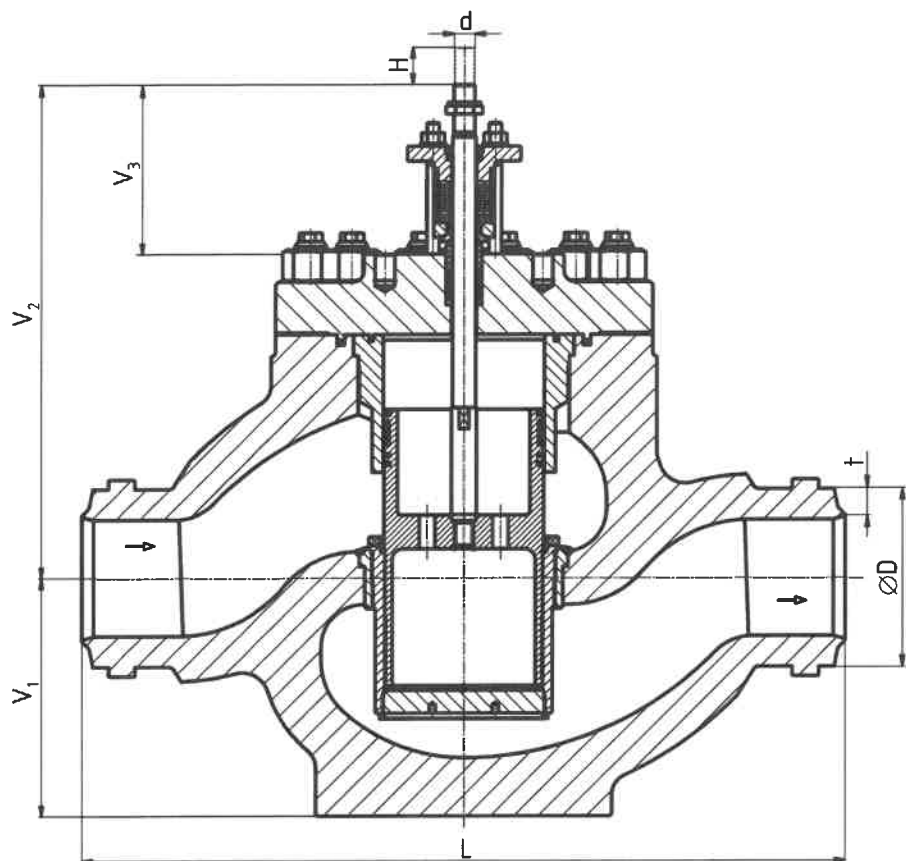
Installation position for valves with electro- or pneumatic actuators



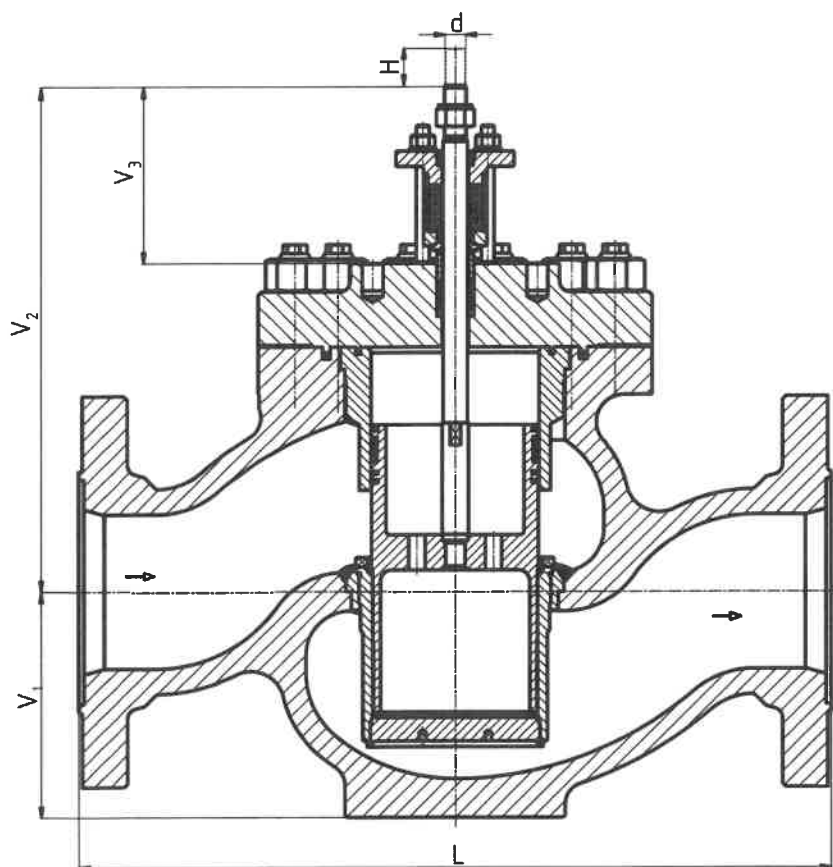
Installation position for valves with hand wheel

Dimensional sketches of valves

Control valve RV 701 - with weld ends

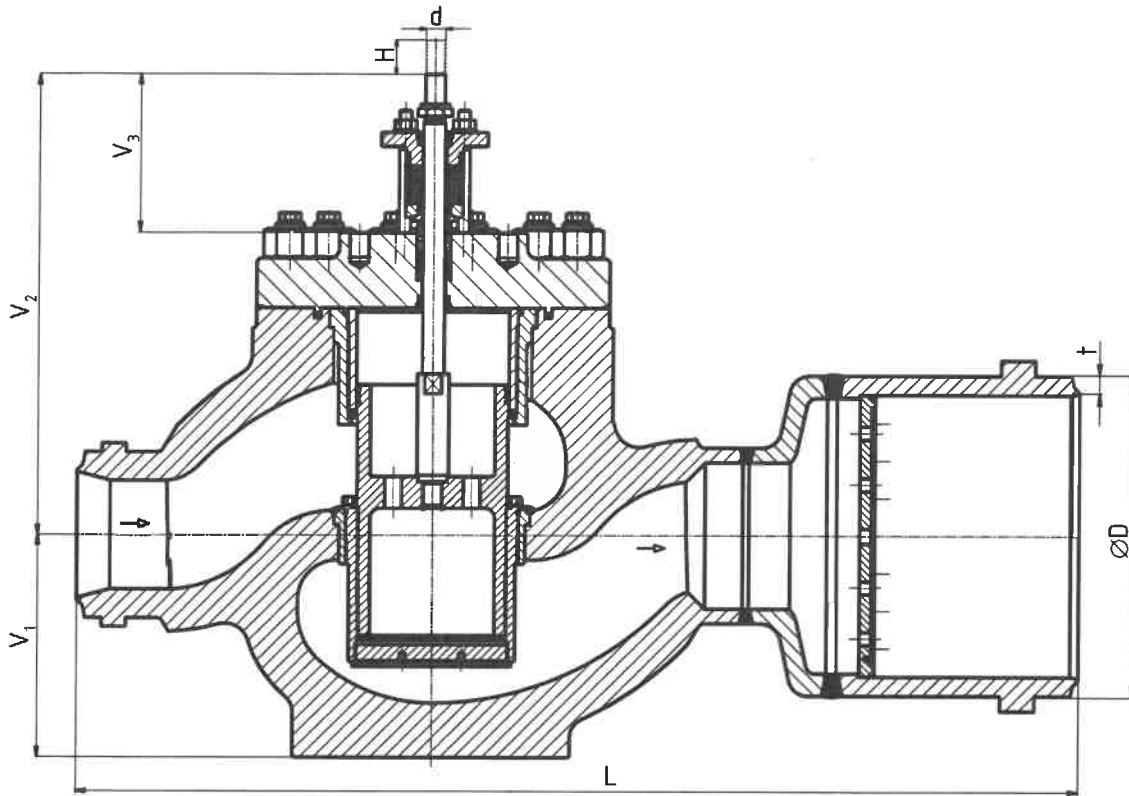


Control valve RV 701 - with flanges

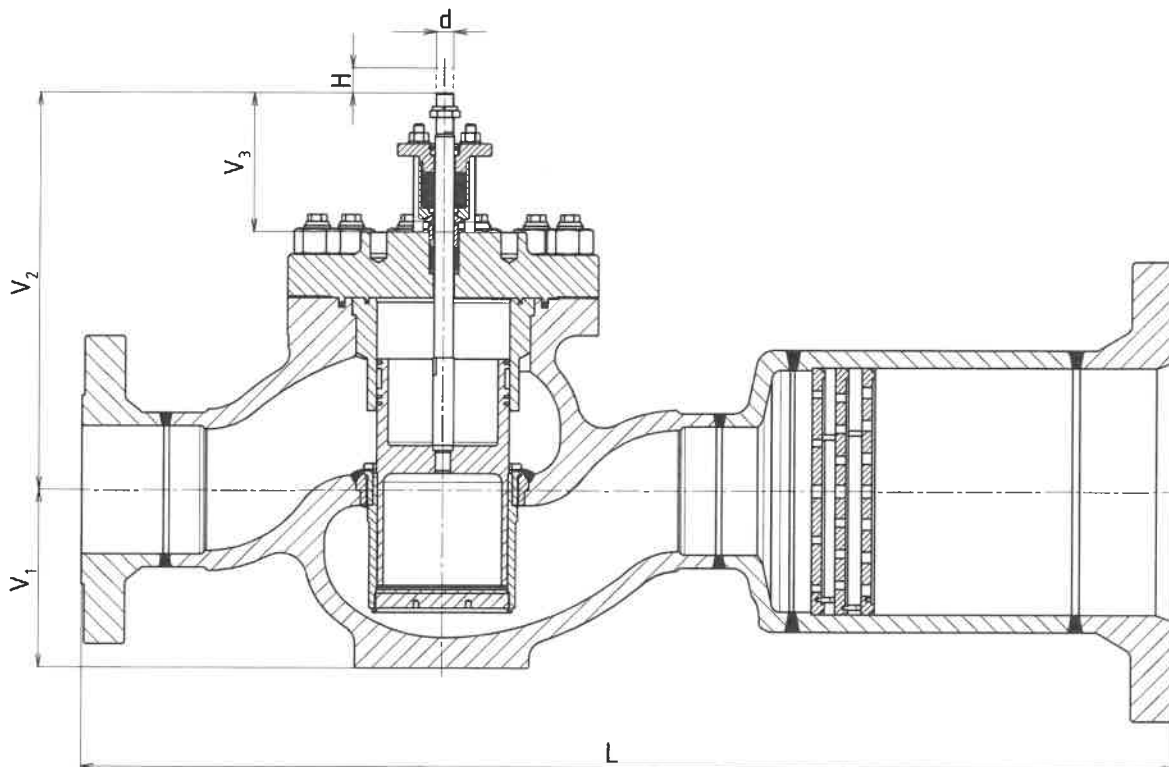


Dimensional sketches of valves

Control valve RV 702 - with weld ends



Control valve RV 702 - with flanges



Dimensions and weights of valves RV 700

PN 16 - 160

DN	V ₁	V ₂	V ₃	H	d	m	m
	[mm]	[mm]	[mm]			(RV701 weld end)	(RV701 flange)
						[kg]	[kg]
25	72	280	160	16	M16x1,5	21	28
40	97	309	160	25		36	47
50	100	321	160	25		42	60
65	101	325	160	25		54	79
80	130	354	160	40		74	93
100	145	400	160	40	M20x1,5	110	144
125	205	458	160	63		245	311
150	205	458	160	63		245	311
200	254	583	160	80	M24x1,5	632	758

PN 250 - 400

DN	V ₁	V ₂	V ₃	H	d	m	m
	[mm]	[mm]	[mm]			(RV701 weld end)	(RV701 flange)
						[kg]	[kg]
25	70	280	160	16	M16x1,5	28	33
40	103	313	160	25		56	
50	110	320	160	25		64	78
65	130	331	160	25		94	
80	145	360	160	40		110	142
100	170	404	160	40	M20x1,5	197	298
125	225	466	160	63		380	
150	225	466	160	63		383	
200	290	600	210	80	M24x1,5	908	
250	345	675	210	100		1515	

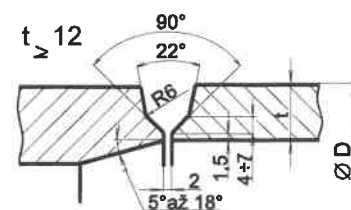
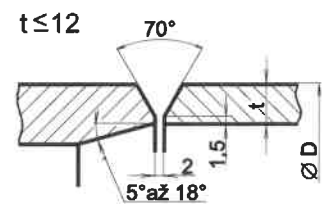
• The missing data will be added at the manufacturer

Weld ends connection dimensions

• acc. to ČSN 13 1075

PN

DN	16-40	63	100	160	250	320 ¹⁾	400 ¹⁾	16-400
	t [mm]	t [mm]	t [mm]	t [mm]	t [mm]	t [mm]	t [mm]	D [mm]
25	2.6	2.6	2.9	4	5	6	7.1	33.7
40	2.6	2.9	3.6	5	7	6.8	11	48.3
50	2.9	3.2	4.5	6.3	8	10	14.2	60.3
65	3.2	3.6	5	7	10	13	17.5	76.1
80	3.6	4	5.6	8	12.5	14.2	19	88.9
100	4	5	7	10	14	16	20	114.3
125	4.5	5.6	8	12.5	18	20	23	139.7
150	5	7	10	14	20	23	26	168.3
200	6.3	8	12.5	18	25	28	32	219.1
250	7	10	16	22	32	35	38	273
300	8	12.5	18	25	44	50	---	323.9
350	9	12.5	20	28	---	---	---	355.6
400	11	14	20	32	---	---	---	406.4
500	14	18	25	---	---	---	---	508
600 ²⁾	18	23	---	---	---	---	---	610
700 ²⁾	23	---	---	---	---	---	---	721



Other shapes of weld ends according to customer requirements

¹⁾ For PN 320, 400 -
Dimensions weld ends acc. to LDM.

²⁾ For DN 600, 700 -
Dimensions weld ends acc. to LDM.

Construction lengths

• PN 16 - 160

Weld ends connection

Standard	PN acc. to norm	L ₁ [mm]	DN							
			25	40	50	65	80	100	125/150	200
EN 12982 (2011) (series 75) (series 2)	160	L ₁ [mm]	279	330	375	375	460	530	768	832
	63/100/160		230	---	300	340	380	---	---	---
ANSI/ISA-75.08.05 (2016)	160	L ₁ [mm]	279	330	375	375	460	530	768	832
LDM RV 701	16 - 160		270	300	390	450	480	580	720	820

Flanges connection

Standard	PN acc. to norm	L ₂ [mm]	DN							
			25	40	50	65	80	100	125/150	200
EN 558 (2017) ¹⁾ (series 105)	160	L ₂ [mm]	292	333	375	410	441	511	714	914
ANSI/ISA-75.08.05 (2016) ¹⁾	160		292	333	375	410	441	511	714	914
LDM RV 701 ¹⁾	16 - 160	L ₂ [mm]	260	300	350	420	450	520	680	---

• DN125 of the same construction length as DN150

¹⁾ Flange acc. to EN 1092-1(2018)

• PN 250 - 400

Přivařovací provedení

Typ	PN	L ₁ [mm]	DN									
			25	40	50	65	80	100	125	150	200	250
RV 701	250-400	L ₁ [mm]	270	384	390	508	480	580	720	720	820	990
Typ	PN	L ₃ [mm]	DN ²⁾									
			25/40	40/80	50/100	65/125	80/150	100/200	125/250	150/300	200/...	250/500
RV 702	250-400	L ₃ [mm]	360		635			880	996	1015		

²⁾ Only selected combinations of input and output DN are shown in the table

Přírubové provedení

Typ	PN	L ₂ [mm]	DN									
			25	40	50	65	80	100	125	150	200	250
RV 701	250-400	L ₂ [mm]	390	480	500	610	680	750	970	1020	1210	1430
Typ	PN		-----									
RV 702 RS 702	250-400	L ₄ [mm]	-----									

• The missing data will be added at the manufacturer

2.2.1 Actuator's connection to electric network

These works can be done only by the experienced workers. It is necessary to keep all safety rules. It is also necessary to follow instructions for installation, operating and service of electric actuator published by producer. Transmitter of position and signalization switches are placed under the cover of actuator, in the case they are as part of the delivery.

In regard of the valve being delivered assembled together with its actuator from the company, basic adjusting and setting of actuator is carried out. The valve is adjusted in closed position by torque switch (so that the valve will be really tight closed) meanwhile the switching off the actuator is adjusted in open position by limit switch. In case the actuator is dismantled from the valve body for any reason such as the valve installation into pipeline etc., it is necessary to check the setting again after the assembly possibly to carry out the complete setting of actuator again. Producer does not take over the guarantee if the damage was caused by improper setting or adjusting of the actuator. In case of need, it is possible to ask for such service from service organization of the producer.

The length of the cables to actuator should be selected so that the actuator could be disassembled from the valve without any need for the cables unplugging from the actuator's terminal board.

WARNING: It's necessary to observe the mechanical stroke indicator placed at actuator's yoke or directly at the electromotor, if the valve is operated (opened or closed) by hand wheel. The extra care must be taken near to OPEN and CLOSE position. Neither position nor torque switches are in function in such case and there is a danger of valve or actuator serious damage. It's strongly prohibited to use any mechanical tools (force boosters) for hand wheel operation.

2.2.2 Pneumatic actuator connection

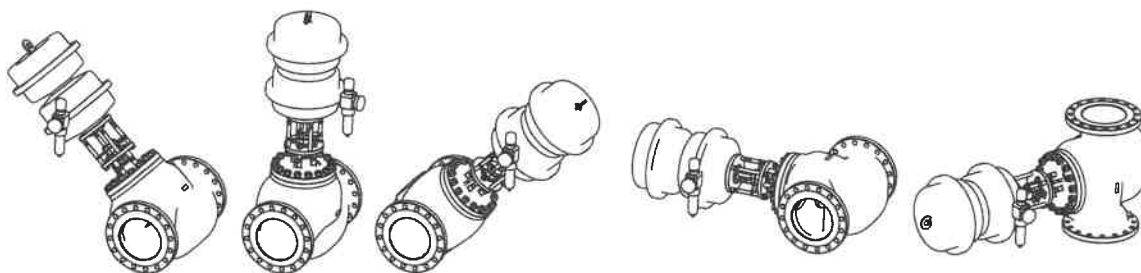
These work may be carried out by trained personnel only. It is necessary to follow instructions for installation, operation and maintenance of pneumatic actuators issued by the producer of the actuator.

Connection of pneumatic actuator to air supply is done by plastic, copper or stainless-steel tubes, recommended dimension is 8x1 mm. The 12x1 mm tubes are recommended for the actuators with membrane area larger than 600 cm² or in case the length of air pipeline is more than 10m.

Before valve commissioning, the data, given in the actuator and positioner ID plate (especially air supply maximum pressure), should be checked/compared with given specification. If the pressure of air supply is higher, the pressure reduction valve must be used.

As the valve is supplied with actuator as a complete, the basic setting is also carried out. In case the actuator was removed from the valve, it is necessary to check this setting or set the actuator once again. The producer does not take over the damage caused by wrong setting of the actuator. In case of need, the assistance of our subsidiary LDM Service can be required.

In case of pressure air regulator (air supply to pneumatic actuator) fixed directly on the valve/actuator yoke, the regulator must be placed in vertical position (draincock/draincup down), see picture. If the valve mounting position is known during the valve-actuator assembly, the right position is set on the production line/during final test.



Examples of filter/regulator position

2.2.3 Checking after installation

Piping system should be pressured after valve installation and then checked if there is no leak. Check the packing set tightness as well. Then check the proper function of actuator by doing a few strokes.

Maximum allowed pressure for LDM „live Loading“ packing is 25 MPa. In case, the test pressure is higher, the test packing must be used.

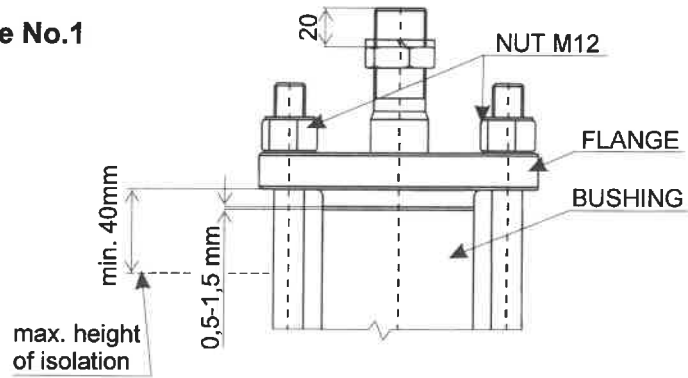
2.2.4 Cleaning of pipeline

In case, the pipeline is cleaned by flushing, blowing out after valve installation, the following provisions must be done:

- the inner/control parts must be removed (plug, stem, seat cage)
- the hole for stem in valve cover must be blinded

Valve disassembly and also the back assembly of parts including the actuator assembly and setting must be done by authorized organization (LDM Servis s.r.o.). If not, the warranty is no more valid.

Picture No.1



2.3.1 Exchange of packing set

If there is a need to exchange the packing because of worse tightness, it's recommended to ask LDM service company for technical instructions for dismantling and assembly of the "LIVE LOADING" packing or to ask them for a exchange of it.

2.3.2 Electric actuators

Electric actuators have to be operated according to instructions given in „Actuator manual“. In case of malfunction of actuator, see the instructions or ask for professional repair man.

2.3.3 Warming-through and putting fittings out of operation

Warming-through fittings:

Fittings have to be filled and warmed-through by regulating the steam supply and drainage so that the trend of the temperature increase is observed, i.e. so that the increase in the temperature of fittings does not exceed the given temperature jump per minute (see the table). After the required temperature is reached, the operation of the steam piping is regulated depending on the need of the given appliance.

Valve	Carbon material of body	Alloy material of body
DN 15-150, PN 16-160 DN 15-65, PN 160-400	6°C/min	4°C/min
DN 80-250, PN 160-400	5°C/min	3°C/min

If the required temperature of the fitting needs to be reached faster, it is necessary to secure permanent warming-through, e.g. by means of a by-pass.

Putting fittings out of operation:

If possible, the decline of the temperature of alloy steel fittings that are cooling down is to be as slow as the temperature increase in warming-through. If a faster temperature decline is detected, the decline has to be slowed down until the temperature drops to 300 °C; then the piping is let cool down without any intervention. The cooling rate does not have to be monitored in fittings made of carbon steels.

2.3.4 Thermal and acoustic insulation

The type and dimensions of the insulation are as stated in the design. Only the insulation above the cover of the fitting has to have its height adjusted to provide a free access for monitoring the compression of the packing or for tightening (see point 2.3, pic. 1).

2.4 Elimination of defects and malfunctions

If a defect is detected on the valve (leakage, leakage of packing or bonnet sealing, etc.), it is necessary to ensure its repair immediately otherwise a permanent damage may occur to sealing surfaces and other parts exposed to effects of leaking medium.

Prior to any repair work on the valve, make sure that piping system is free of pressure!

Defect	Possible cause	Elimination of defect
Valve leakage	- insufficient linear force of the actuator	- check the function and setting of the actuator possibly positioner
	- seizure of impurity in seat area	- open and close the valve fully
	- damaged sealing surfaces of the plug and seat	- it is necessary to lap plug and seat or replace damaged parts - requires trained personnel
Packing leakage	- sealing force of graphite packing is too low	- tighten the graphite packing or add another sealing ring (see 2.3)
	- packing is worn or damaged	- change the whole packing set (see 2.3.1) - requires trained personnel
	- damaged stem	- replace packing and stem - requires trained personnel
Leakage of bonnet	- low adherence pressure to gasket - damaged gasket	- tighten screws - to change bonnet gasket - requires trained personnel
Leakage of body	- damage caused by aggressiveness, abrasion, or erosion of media	- it is need to change of body - trained personnel required
Increased noise	- exceeding of operating parameters - presence of undesirable particle in throttling system	- must be consulted with the producer - it is necessary to disassemble valve, clean the throttling system, eventually change the damaged parts - requires trained personnel
Stem won't move	- no supply to actuator (electric or pneumatic)	- electric actuators: check supply and feeding voltage - pneumatic actuators: check supply and feeding pressure
	- actuator control signal failure	- measure the value of input control signal
	- the defect of actuator or its accessories	- follow the instructions for actuator or require trained personnel
	- graphite packing tightened too much	- loosen the packing and retighten it just to ensure tightness
	- seizure inside the valve due to impurities	- it is necessary to dismantle the valve and replace damaged parts - trained personnel required
Stem jerky movement	- insufficient actuator force	- compare parameters of the product with the real parameters - if OK, ensure responsible service personnel
	- damaged positioner	- follow the instructions issued by its producer, possibly ensure trained service personnel
Valve won't move in full range of its stroke	- wrong setting of end position switches	- check the setting of the switches
	- pneumatic and electrohydraulic actuators: hand wheel got stuck in wrong position	- adjust the hand wheel into its basic position
	- pneumatic actuators: feeding pressure is too low	- ensure the required pressure of supply air
	- pneumatic actuators wrongly adjusted or defected positioner	- readjust the positioner acc. to instructions issued by its producer
	- impurities inside the valve	- close and open the valve fully, possibly ensure trained service personnel

If the valve is in guarantee period, it is necessary to ensure authorised service for all service except tightening of graphite packing!

2.5 Spare parts

Spare parts are not part of valve delivery. They must be ordered separately. For the spare parts order, following data must be written: type of a valve, nominal diameter DN, Serial valve's number, name of a spare part.

Recommend spare parts for 3 and 5 years of operation:

Parts for 3 years of operation	Additional parts for 5 years of operation *)
<ul style="list-style-type: none"> - packing set (stuffing box complete) - bonnet gasket - bonnet gasket-inner - plug's sealing rings (only for balanced plug with graphite rings sealing) - plug's wiping rings 	<p><u>balanced plug's sealing – graphite rings</u></p> <ul style="list-style-type: none"> - plug with stem (welded assembly) - seat (seat cage) - plug's guide <p><u>balanced plug's sealing – metal U-ring seal</u></p> <ul style="list-style-type: none"> - plug with stem (welded assembly) - seat (seat cage) - insert - metal U-ring seal

*) It's recommended for 5-years spare parts ordering to order 2 sets for 3-years operation and 1 set of additional parts for 5-years operation.

2.6 Guarantee conditions

The producer does not guarantee the operation and safety of the product under conditions different from data given in the catalogue data sheet. Any using of the valve under different conditions shall be consulted with the producer. Defects of the valve caused by impurities in process medium shall be considered as out of guarantee terms. The producer does not take over the guarantee if any change was made by the user without prior written consent from the producer (except the packing tightening).

2.7 Transportation and storage

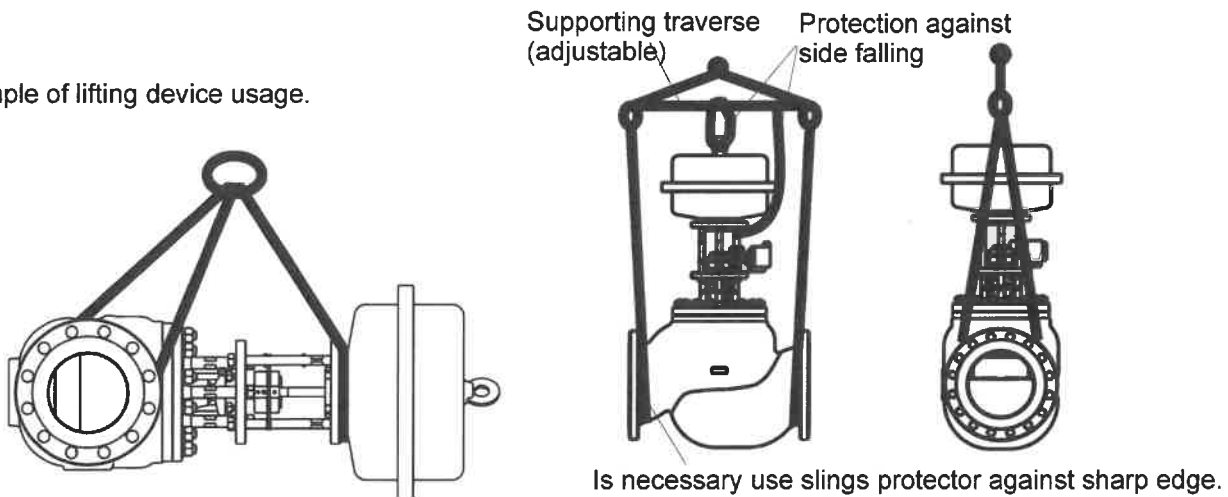
During transport and storage, the valve must not be exposed to water or placed in environment with relative humidity exceeding 90 %.

With respect to used actuators, the temperature during transport and storage shall be within the range of -20 to 55°C. Weld ends must be protected with blinds (these are part of delivery).

Suitable tools/devices should be used for valve lifting during the transport and installation (e.g. lifting harness entwined around weld ends, actuator yoke etc.).

Never lift the valve by the lifting device fixed on the actuator only!

Example of lifting device usage.



It is necessary to make sure the valve can not be damaged during transport. **Special attention shall be paid to the valve stem, stroke indicator and outside accessories fixed to the actuator.** If the valves are stored for more than 3 years, the producer recommends to carry out professional inspection of the valves.

2.8 Waste disposal

Packaging and the valves (after their scrapping) shall be disposed off in the common way, e.g. by handing over to a specialized company for a disposal (body and metal parts - metal scrap, packaging + other non-metallic parts - communal waste).



ADDRESS OF FACTORY

LDM, spol. s r.o.
Litomyšlská 1378
560 02 Česká Třebová
Czech Republic

tel.: +420 465 502 511
fax: +420 465 533 101
E-mail: sale@ldm.cz
http://www.ldmvalves.com

REGIONAL OFFICES

LDM, spol. s r.o.
Office in Prague
Podolská 50
147 01 Praha 4
Czech Republic

tel.: +420 241087360
fax: +420 241087192
E-mail: tomas.suchanek@ldm.cz

LDM, spol. s r.o.
Office in Ústí nad Labem
Ladova 2548/38
400 11 Ústí nad Labem - Severní Terasa
Czech Republic

tel.: +420 602708257
E-mail: tomas.kriz@ldm.cz

SERVICE ORGANIZATION

LDM servis, spol. s r.o.
Litomyšlská 1378
560 02 Česká Třebová
Czech Republic

tel: +420 465502411-13
fax: +420 465531010
E-mail: servis@ldm.cz

LDM SUBSIDIARIES ABROAD

OOO "LDM Promarmatura"
Jubilejnyj prospekt, dom.6a, of. 601
141407 Khimki
Moscow Region
Russia

tel.: +7 495 7772238
fax: +7 495 7772238
mobile: +7 9032254333
e-mail: inforus@ldmvalves.com

TOO "LDM"
Shakirova 33/1, kab. 103
100012 Karaganda
Kazachstan

tel.: +7 7212566936
fax: +7 7212566936
mobile: +7 7017383679
e-mail: sale@ldm.cz

LDM, Bratislava s.r.o.
Mierová 151
821 05 Bratislava
Slovakia

tel: +421 243415027-8
fax: +421 243415029
E-mail: ldm@ldm.sk
http://www.ldm.sk

LDM Armaturen GmbH
Wupperweg 21
D-51789 Lindlar
Deutschland

tel: +49 2266 440333
fax: +49 2266 440372
mobile: +49 1772960469
E-mail: ldmmarmaturen@ldmvalves.com

LDM, Polska Sp. z o.o.
ul. Bednorza 1
40-384 Katowice
Polska

tel: +48 327305633
fax: +48 327305233
mobile: +48 601354999
E-mail: ldmpolska@ldm.cz

LDM Bulgaria Ltd.
z.k.Mladost 1
bl.42, floor 12, app.57
1784 Sofia
Bulgaria

tel: +359 2 9746311
fax: +359 2 8771344
mobile: +359 888925766
E-mail: ldm.bg@ldmvalves.com

www.ldmvalves.com

LDM, spol. s r.o. reserves the right to modify or improve the designs or specifications of such products at any time without notice
Guarantee and after guarantee service provided.